



www.GESecurity.com

Overview

The KTA-L series of low-cost domes are indoor and outdoor housings that accommodate fixed-position cameras. An adjustable aluminum mounting bracket secures the camera into various positions.

The bracket can be tilted from 0 degrees to -90 degrees, swiveled 360 degrees, and adjusted vertically and horizontally. Most domes are available with clear, smoke, bronze, or mirrored acrylic finishes.

6 inch Flush Mount

Designed for indoor use, the 6- and 8-inch flush-mount housings are ideal for situations where space is limited. Their low clearance requirements make them easy to install in almost any ceiling. The 6-inch mount accommodates cameras up to 5 inches long. The 8-inch mount accommodates cameras up to 7 inches long.

7 inch Pendant Mount

The 7-inch pendant-mount housing can be suspended from a ceiling or wall. It can connect to a 1.25-inch NPT pipe or the KTA-20 wall-mount bracket. Because this model is weather resistant, it can be used indoors or outdoors. An optional heater and fan unit is available for outdoor applications. The pendant-mount housing accommodates cameras up to 6 inches long.

7 inch Wall Mount

The 7-inch wall-mount housing features pendant-mount housing with the KTA-20 wall-mount bracket that enables domes to be mounted from walls or corners. This weather resistant model accommodates cameras up to 6 inches long. An optional heater and fan unit is available for outdoor applications.

7 inch Rugged

The 7-inch rugged housing combines the durability of cast aluminum with the impact-resistance of a polycarbonate dome. The pendant dome's housing is designed to satisfy IP65 installation environments. This housing can accommodate cameras up to 5 inches long and can be wall mounted or pendant mounted.

8 inch Heavy Duty

Designed to withstand physical abuse, the heavy-duty housing is perfect for applications where vandalism is a problem. It accommodates cameras up to 7 inches long and features a thick, aluminum upper housing and an impact-resistant, acrylic dome. Extra strong polycarbonate domes are also available. The weather-resistant housing can be used indoors or outdoors. An optional heater and fan unit is available for outdoor applications.

Low-Cost Dome

Economical Indoor and Outdoor Housings for Fixed Cameras



Standard Features

- Economical
- Adjustable camera-mounting bracket
- Most domes available with clear, bronze, smoke, or mirrored finishes
- Vandal-resistant options available

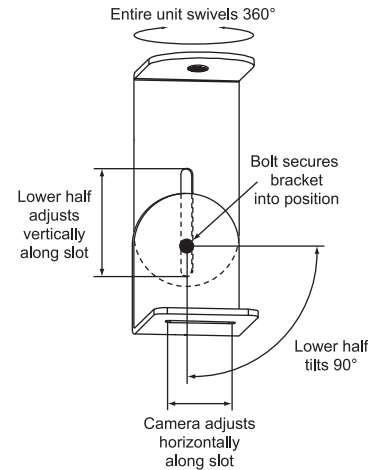
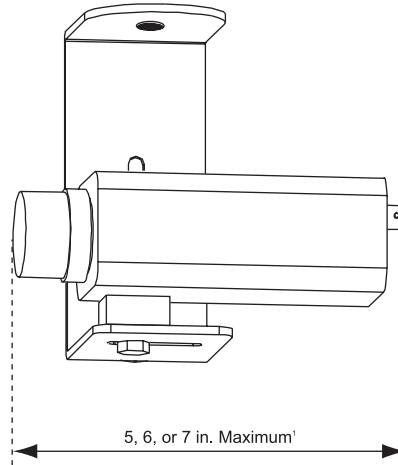
Low-Cost Dome

Economical Indoor and Outdoor Housings for Fixed Cameras

For electrical, mechanical, and operational specifications, see the **CyberDome® Housing Data Sheet**

Camera and Lens Size Limits

Housing	Maximum Length of Camera and Lens
6 inch Flush Mount	5 inches
7 inch Pendant Mount	6 inches
7 inch Wall Mount	6 inches
7 inch Rugged	5 inches
8 inch Flush Mount	7 inches
8 inch Heavy Duty	7 inches



Low-Cost Dome Easy Ordering Guide

Housing	Dome Finish	No Options	w/Heater and Fan
6-inch Flush-mount	Clear	KTA-LF-3	NA
	Smoke	KTA-LF-4	NA
	Bronze	KTA-LF-2	NA
	Chrome Mirrored	KTA-LF-6	NA
	Gold Mirrored	KTA-LF-7	NA
7-inch Pendant-mount	Clear	KTA-LH-3	KTA-LHE-3
	Smoke	KTA-LH-4	KTA-LHE-4
	Bronze	KTA-LH-2	KTA-LHE-2
	Chrome Mirrored	KTA-LH-6	KTA-LHE-6
	Gold Mirrored	KTA-LH-7	KTA-LHE-7
7-inch Wall-mount	Clear	KTA-LC-3	KTA-LCE-3
	Smoke	KTA-LC-4	KTA-LCE-4
	Bronze	KTA-LC-2	KTA-LCE-2
	Chrome Mirrored	KTA-LC-6	KTA-LCE-6
	Gold Mirrored	KTA-LC-7	KTA-LCE-7
8-inch Flush-mount	Clear	KTA-LFS-3	NA
	Bronze	KTA-LFS-2	NA
	Chrome Mirrored	KTA-LFS-6	NA
	Gold Mirrored	KTA-LFS-7	NA
8-inch Heavy-duty	Clear	KTA-LD-3	KTA-LDE-3
	Smoke	KTA-LD-4	KTA-LDE-4
	Bronze	KTA-LD-2	KTA-LDE-2
	Polycarbonate Clear	KTA-LD-8	KTA-LDE-8
	Polycarbonate Smoke	KTA-LD-9	KTA-LDE-9



Mailing Address
4575 Research Way, STE 250
Corvallis, OR 97333 USA

Americas
800-469-1676 (US only)
tel 541-754-9133

Asia
tel 852-2907-8108
fax 852-2142-5063

Europe
tel 32-2-725-11-20
fax 32-2-721-86-13

www.GESecurity.com

Australia
tel 61-3-9259-4700

Latin America
tel 305-593-4301