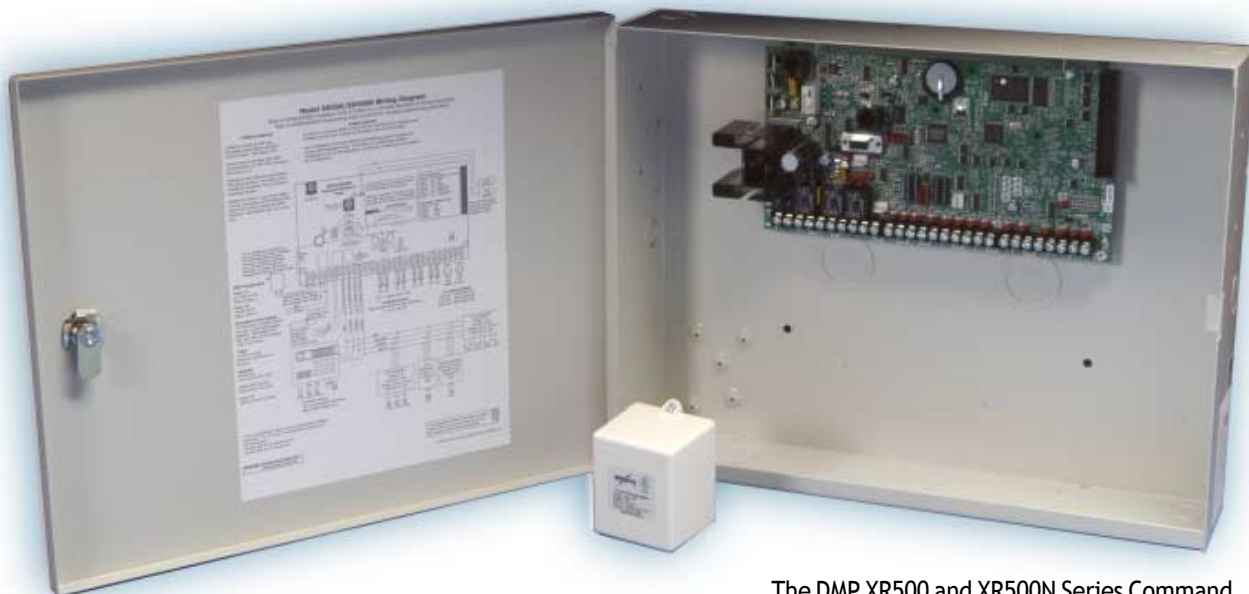


# SPEC SHEET



## NETWORK MONITORING!



The DMP XR500 and XR500N Series Command Processor™ Panels provide dealers and end-users with the industry's most impressive array of system features found in any integrated system. The combination of capability, sophistication, and simple operation makes this system the obvious choice for all your burglary, fire, and access control applications.

## XR500 SERIES 574-ZONE COMMAND PROCESSOR™ PANEL

### SYSTEM FEATURES

- 32 individual reporting areas, with common areas
- Up to 574 fully programmable input zones
- Up to 574 graphic annunciator outputs
- Up to 502 Form C relays
- Up to 562 two-wire smoke detector zones
- 10,000 user codes with 99 profiles
- 12,000 event buffer
- Supports 793 Easy Entry™ keypads
- Up to 100 output schedules to control relays and panel outputs
- Serial 3 digital dialer or CID reporting to multiple central station receivers
- AES (Advanced Encryption Standard) Rijndael Encryption with an iCOM-E Network Alarm Router
- Built-in phone line monitor
- Laptop programmable from on-board DB-9 connector or programmable from any DMP LCD keypad
- Built-in DB-9 RS-232 or LX-Bus (Selectable)
- Flash updateable ROM: No more firmware chips to replace
- Multiple on-board status LEDs for power, system and communication status
- 20 holiday dates up to one year in advance with schedules
- Programming header for quick connection of keypad or devices
- Automatically disarm burglary areas upon door access
- Backwards compatible to current XR200 keypads and devices
- 1.5 Amps bell output
- 1.5 Amps smoke and auxiliary output
- Inherent power limited circuits
- 16.5 VAC 50 VA plug-in transformer included

### XR500N SYSTEM FEATURES

- On-Board Ethernet (no iCOM required)
- Bank, Safe & Vault Operation
- Two Man Rule, Panic Button Test, and Early Morning Ambush



Digital Monitoring Products

## COMMUNICATION

The XR500 Series is unmatched in its communication capability with Serial 3 digital dialer, CID, and Network Monitoring. In addition, the XR500 Series can report to multiple central station receivers. DMP Serial 3 format supports 16-character user, zone, and area names to increase the central station response time and limit dependence on automation literal tables for message conversion.

## EXPANDED NETWORK OPTIONS

Expand the XR500 features by using the built-in panel capability to connect directly to any RS-232 device or add a network device, such as an iCOM™ or iCOM-E™ Network Alarm Router.

## DIGITAL DIALER

The XR500 system sends alarm and system reports to the central station using Serial 3 communication format. Serial 3 has an average on-line time of 5.6 seconds to comply with 6-second minimum time requirements for some long distance savings plans.

## BUILT-IN PROGRAMMER AND DIAGNOSTICS

The XR500 Series do not require an external programming device. This allows installers and service technicians to program the system and run diagnostics from any DMP LCD keypad.

## TRUE AREAS

The XR500 Series contains 32 completely independent areas with a wide range of programmable options. Each area has a separate name and account number and can be independently armed.

## AREA FILTERS

Burglary activities can be segmented so that only specific area(s) and their associated operation appear at a particular keypad. This feature allows specific area control from specific devices, as well as zone annunciation assigned to those area(s).

## COMMON AREAS

One or more areas can be designated as common. Common areas automatically arm when the last regular area is armed and disarm when the first regular area is disarmed. This is ideal for lobbies or areas where users need common access to specific areas only.

## ZONE EXPANSION

The XR500 provides up to 574 zones, programmable for burglary, fire, and access applications. The system contains eight burglary zones and two Class B 12 VDC powered zones. Up to 64 zones are available on the 16 keypad addresses and up to 100 zones are available on the built-in LX-Bus. In addition, add up to 500 zones using Expansion Modules.

## CROSS ZONING

This powerful feature allows multiple zones to be cross-zoned and report alarms only when two or more zones trip within 4-250 programmable seconds. If only one zone trips, a fault report is sent to the central station.

## INTERFACE CARDS

**461 Interface Adaptor Card** allows you to install five additional Interface Cards.

**462P Printer Card** allows you to connect a serial printer and provide a real-time 80-character printout of system events.

**462N Network Card** allows you to connect to a computer data network, DVR integration, or to a computer for local programming with Remote Link.

**462FM 9600 Baud Modem Card** enhances the system's internal modem to 9600 Baud for remote uploading and downloading.

**472 Wireless Interface Card** allows you to connect up to 200 900MHz wireless devices on the XR500.

**481 LX-Bus Card** provides one LX-Bus™ circuit for up to 100 expansion zones.

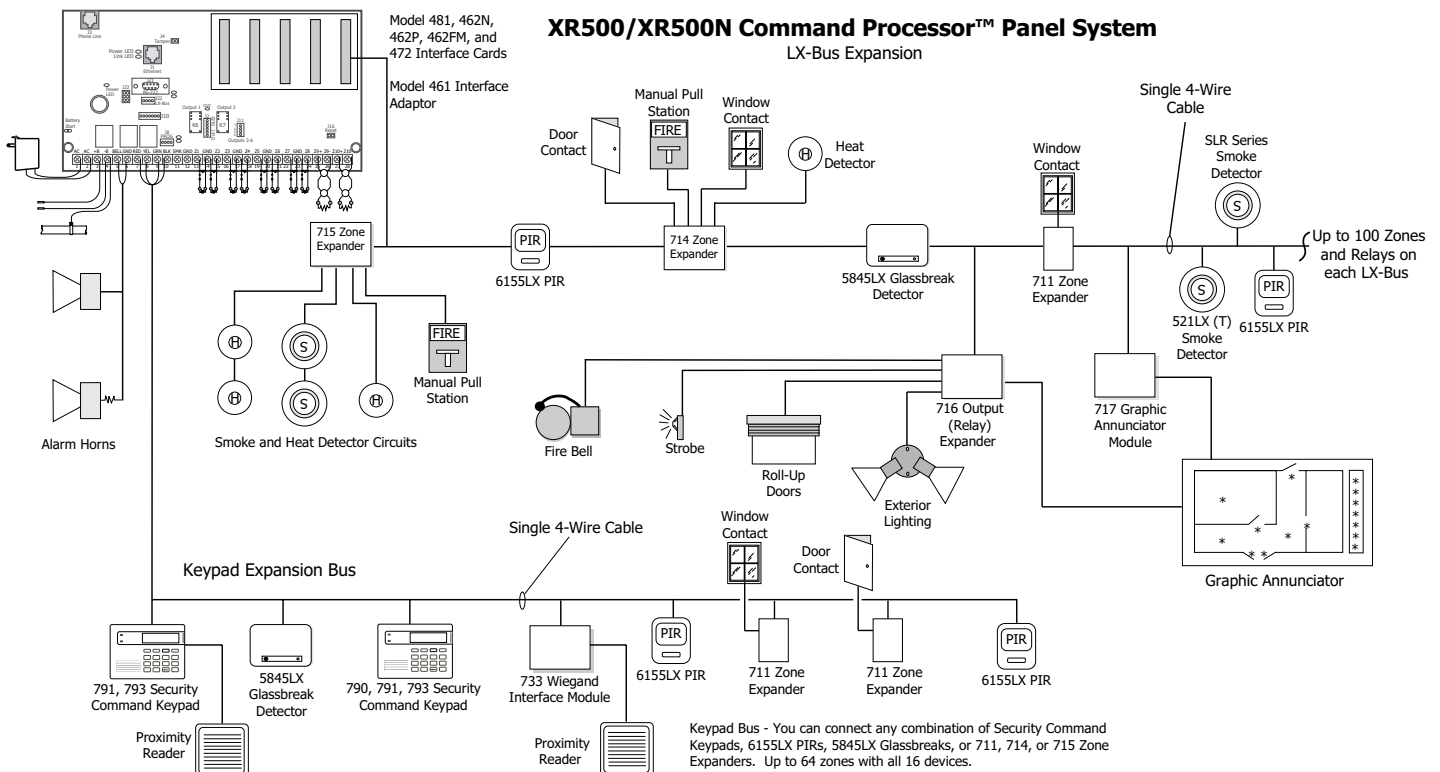
## WIRELESS ZONES

The FA400-DMP Wireless Receiver allows up to 200 points of 900MHz wireless transmitters.

The FA426 Remote Wireless Receiver also allows up to 16 points of 900MHz wireless transmitters on the system.

The 738A Ademco Wireless Expansion Module allows up to 32 supervised zones of Ademco wireless devices on your system.

The 738I ITI Wireless Expansion Module allows up to 96 points of ITI devices to be connected to the system.



## 10,000 USER CODES

The XR500 provides 10,000 users. Each user can be assigned one of 99 different profiles including access to any combination of areas. A 16-character name can be assigned to each code, which prints on a local printer (462P required), displays from the event buffer, transmits to a receiver, or sends via data network to DMP Advanced Reporting software.

## OUTPUTS

The XR500 allows the use of two SPDT relay outputs with a 431 Output Harness, and four open collector outputs using a Model 300 Output Harness. Multiple outputs can be grouped to activate with a single event. Output Groups can be assigned to a particular user profile. Up to 500 outputs may be used on the XR500 LX-Bus with 716 Output Modules.

## SCHEDULES

The XR500 provides system operation flexibility using a variety of programmable schedules as described below. There are 100 total schedules available for use.

## OUTPUT SCHEDULES

Output (relay) schedules automatically turn any of the systems relays or switched-ground outputs on or off. This feature allows control of exterior lighting or any contact-activated device.

With a Model 739 X-10 Interface Module on the LX-Bus users can program schedules for their X-10 devices. This allows the panel LX-Bus outputs to control the X-10 device on/off status. The 739 module does not require any address programming.

## HOLIDAY DATES AND SCHEDULES

The XR500 allows up to 20 different user selectable holiday dates that override the normal schedules. Independent holiday schedules are available for each of the 32 burglary areas, system relay output operation, and door strike operation. All holiday dates can be assigned up to one year in advance.

## SHIFT SCHEDULES

Each system area can have a shift schedule. Each user access card can be assigned to operate during one or more of the four shift schedules, or allowed to operate regardless of any schedule. This schedule is also used by the burglary system to determine if a particular area is not armed by the scheduled closing time.

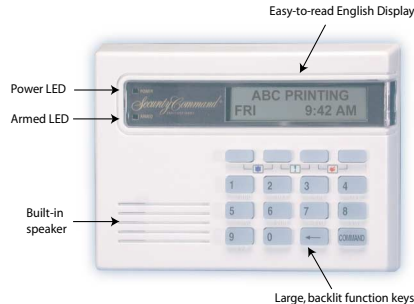
## DOOR STRIKE SCHEDULES WITH OVERRIDE

Door strike schedules are also provided to allow door strike control. Specific doors may be set to unlock certain times of the day or night, or the card reader can be completely disabled when desired. The schedule override feature keeps doors locked should the business open late or close early due to inclement weather or other emergency.

## SECURITY COMMAND®

### KEYPAD

You can connect any LCD Security Command keypad to the XR500 system. Each keypad has large function keys for entering information and a backlit LCD display that allows users to view system events in almost all lighting conditions.



## EASY ENTRY™ KEYPADS

For low cost access control, DMP has developed the Easy Entry™ Model 793 keypad with built-in proximity reader. You can also connect external proximity and magnetic stripe access readers to a 793 Easy Entry keypad.

## 16 INDEPENDENT DOORS OF ACCESS CONTROL

Any access control reader that provides a 26-40 bit Wiegand output can be connected to the XR500 using the Model 733 or 734 Wiegand Interface Modules, or Easy Entry™ keypads. Attach card reader inputs from up to 16 different locations.

## AUTOMATIC BURGLARY SYSTEM DISARMING

Since the XR500 is an integrated burglary, fire, and access control system, a user can gain access and disarm the site, all in a single card read!

## FOUR PROGRAMMABLE ENTRY DELAY TIMES

Delay zones on the XR500 can be assigned to any of the four programmable entry delays. Program entry times for 1 to 250 seconds.

## SOFT SHUNT™

To provide an entry and exit window on systems with 24-hour perimeter protection, DMP has the Soft Shunt™ feature that shunts a zone on the keypad while the user enters or leaves the building.

## REQUEST TO EXIT

This feature immediately releases a door strike or magnetic lock by connecting a motion sensing or mechanical device to a Model 733 or 734 Wiegand Interface Module, or DMP Easy Entry™ keypads. As the user trips the zone, the keypad activates its door strike relay allowing the user to exit the area without presenting a card.

## ANTI-PASSBACK

The XR500 offers anti-passback operation. Distinct doors and readers can be designated for access to, or egress from, particular areas in the system.

## ACCESS DENIED REPORTS

The XR500 system can restrict access for several reasons such as a schedule or armed area. The specific reason for access denial can be displayed on the keypad, stored in events, logged on a local printer (DMP 462P required), sent to the central station, or to DMP Advanced Reporting software.

## 12,000 EVENT MEMORY

The XR500 stores up to 12,000 events. The 10,000 Display Events feature allows you to view stored openings and closings, zone events, user code and schedule changes, door accesses, and supervisory events. Sort events by a particular user, door, and date range. The remaining 2,000 events list alarm events separately for easy review and research.

## EVENTS MANAGER

Save monitoring costs with the XR500 by using the Events Manager option. This feature allows the panel to buffer specific system reports and automatically download them to the receiver when the available memory is full or keep them in memory until downloaded with DMP Remote Link™ Software.

## FIRE DRILL AND ONE-MAN WALK TEST

Users can test fire notification bells using the Fire Drill feature. A special code is also available for installers to test the system.

The one-man walk test feature allows a single technician to check the panel response to burglary, fire, panic and supervisory zones. The trip counter and failed zones display provide a printable report.

## XR500N NETWORK VERSION

The XR500N Network version is the perfect solution for multi-site applications where the Internet or LAN/WAN is available.

The XR500N provides built-in Ethernet network communication featuring enhanced network options that provide customizable check-in times and retry times.

In addition, the XR500N provides greater security for banks with Bank Safe & Vault operation, Two-Man Rule, Panic Button Test, and Early Morning Ambush features.





# SPEC SHEET

## KEYPADS

- ePAD™ Virtual Keypad
- 630F LCD Remote Fire Command
- 690 LCD Security Command
- 690F LCD Fire Command
- 740 LED Sub-Control & 4-zones
- 741 LED w/internal relay & 4-zones
- 743 LED w/internal relay/prox & 4-zones
- 790 LCD Security Command & 4-zones
- 790F LCD Fire Command & 4-zones
- 791 LCD w/internal relay & 4-zones
- 793 LCD w/internal relay, prox & 4-zones

## EXPANSION MODULES

- 708 Bus Extender Module
- 710 Bus Splitter/Repeater
- 710F Fire Bus Splitter/Repeater, 24 VDC
- 711/E Single Zone Expansion Module
- 712-8 8-zone Expansion Module
- 714 4-zone Class-B Expansion Module
- 714-8 8-zone Class-B Expansion Module
- 714-16 16-zone Class-B Expansion Module
- 715 4-zone 2-wire smoke Expansion Module
- 715-8 8-zone 2-wire smoke Expansion Module
- 715-16 16-zone 2-wire smoke Expansion Module
- 716 Output Expansion Module: 4 Form C relays, 4 open collector outputs
- 717 Graphic Annunciator: 20 open collector outputs
- 725 24 VDC 4-zone Expansion Module
- 736P Radionics Interface Module
- 739 X-10 Interface Module

## INTERFACE CARDS

- 461 Interface Adaptor Card
- 462FM 9600 Baud Modem
- 462N Network Interface Card
- 462P Printer Interface Card
- 472 Wireless Interface Card
- 481 Expansion Interface Card

## AUXILIARY MODULES

- 860 Relay Output Module
- 865 Style Y/Z Notification Circuit Module
- 866 Style W Notification Circuit Module
- 867 LX-Bus Notification Circuit Module
- 869 Style D Initiating Circuit Module
- 893A Dual Phone Line Module

## NOTIFICATION APPLIANCES

- 800 Series Horns and Strobes
- 831 Single Circuit Sync Module
- 832 Dual Circuit Sync Module
- 900 Series Horns and Strobes

## POWER SUPPLIES

- 502-12 Provides 2 Amps @ 12 VDC
- 502-80 80-hour Standby Charger
- 504-24/LX Provides 4 Amps @ 24 VDC
- 505-12/LX Provides 5 Amps @ 12 VDC
- 508 8 Amps @ 12 or 24 VDC

## PULL STATIONS

- 850S Manual Pull Station, Single-Action
- 850D Manual Pull Station, Dual-Action

## SMOKE/HEAT DETECTORS

- SLR Series Addressable Smoke/Heat
- 521B/BXT Addressable Smoke, CleanMe
- 521LX/LXT Addressable Smoke/Heat, CleanMe, 1 expansion zone
- 600 Series Heat Detectors

## TRANSFORMERS

- 322 Wire-in 56 VA
- 326 Wire-in 50 VA
- 327 Plug-in 50 VA
- 323 Wire-in 56 VA (350 or 350A battery enclosure required)

## INTRUSION DETECTORS

- Sentrol® Contacts, Panics, Glassbreaks, & PIRs
- Optex PIRs
- Potter Vibration Sensors, Contacts, Hold-up Buttons, and Sound Alarms
- Tane Contacts and Water Sensors
- Virtually any other Standard Intrusion Detectors

## ACCESS CONTROL

- 733 Wiegand Interface Module
- 734 Wiegand Interface Module
- OP-08CB REX Motion Detector
- PB-2 Request-to-Exit Button
- Proximity Readers and Credentials
- DMP ProxPatch

## WIRELESS PRODUCTS

- FA400-DMP Wireless Receiver
- FA426 16-point 900MHz Receiver
- 738A Ademco 32-point Module
- 738I ITI 96-point Module

## ACCESSORIES

- 300 Four-wire Harness
- 303 Silence/Reset Push-Button
- 305 Plug-in Output Relay
- 306 Tamper Harness
- 307 Clip-On Tamper Switch
- 335 Intrusion Siren
- 370 Lightning Suppressor
- 374 Surge Voltage Suppressor
- 431 XR500/XR500N Output Harness

## CENTRAL STATION RECEIVERS

- SCS-1R Security Control Receiver
- SCS-105 Single-Line SDLC Receiver
- NRL-101 Network Interface Card for Sur-Gard MLR2-E
- Compatible with Central Station Receivers that accepts Standard CID, DD or DMP Serial 3 messaging

## COMPUTER SOFTWARE

- Remote Link Upload/Download Programming Software
- System Link End-User Management Software
- Alarm Monitoring Module
- Command Center Module
- Advanced Reporting Module

## NETWORK EXPANSION

- iCOM Internet Alarm Router
- iCOM-E Encrypted Internet Alarm Router

## SPECIFICATIONS

- Primary Power (included) 16.5 VAC 50 VA transformer
- Secondary Power 12 VDC Battery
- Models 365, 366, 367, 368 or 369
- Output Rating
- Bell 1.5 Amps at 12 VDC
- Smoke and Auxiliary 1.5 Amps at 12 VDC
- Current Draw 180mA
- Enclosure material Cold-rolled steel
- Enclosure Color Gray or Red

## LISTINGS AND APPROVALS

Refer to the XR500/XR500N Installation Guide (LT-0681), XR500/XR500N Programming Guide (LT-0679) and specific compliance listings for installation and programming requirements necessary to meet a particular approval.

- Underwriters Laboratories - S3598
- UL 609 Local Burglar
- UL 1610 Central Station Burglar
- UL 365 Police Connected Burglar
- UL 1023 Household Burglar
- UL 1635 Digital Burglar
- UL 294 Access Control System Units
- UL 1076 Proprietary Burglar
- UL 985 Household Fire Warning
- UL 864 Fire Protective Signaling
- UL Bank, Safe, and Vault
- UL High Line Security
- NIST Validated iCOM-E Encrypted Network Alarm Router
- California State Fire Marshal - Pending



Digital Monitoring Products

800-641-4282

www.dmp.com

Made in the USA

INTRUSION • FIRE • ACCESS • NETWORKS

2500 North Partnership Boulevard

Springfield, Missouri 65803-8877